



VM MOTORI S.p.A.

D 703 LE - 33 kW (45 CV)

Industrial Power

CARATTERISTICHE TECNICHE

TECHNICAL FEATURES

CARACTERISTIQUES TECHNIQUES

HAUPTMERKMALE

CARACTERISTICAS TECNICAS

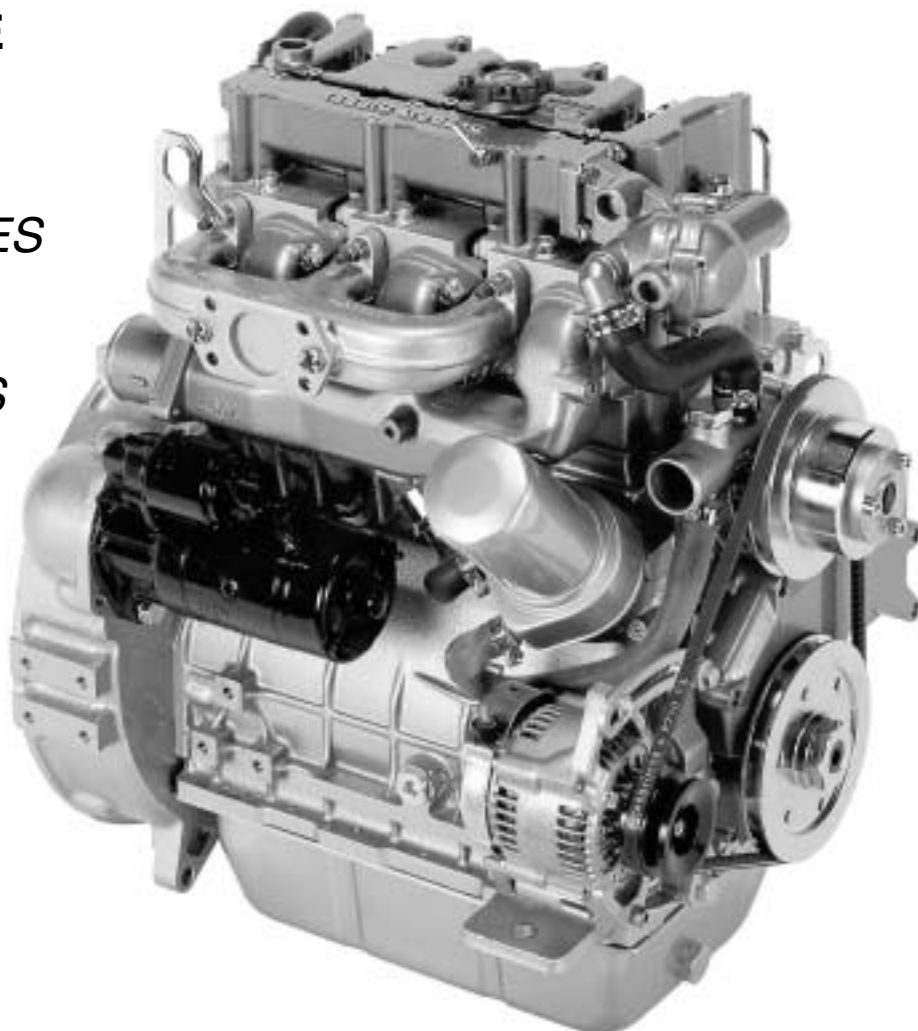
Motore diesel 4 tempi
Iniezione Diretta
Raffreddato ad acqua
Aspirazione naturale

4 stroke diesel engine
Direct injection
Water cooled
Naturally Aspirated

Moteur Diesel - 4 temps
Injection directe
Refrroidissement à eau
Aspiration naturelle

Dieselmotor - 4 takt
Direkte Einspritzung
Wasserkühlung
Sangversion

Motor Diesel - 4 tiempos
Inyeccion directa
Refrigeracion por agua
Aspiracion natural



Dati Motore	Engine Data	Données Moteur	Motor Daten	Datos Motor	
Numero dei cilindri	Cylinder	Cylindres	Zylinder	Cilindros	3
Alesaggio x Corsa	Bore x Stroke	Alesage x course	Bohrung x Hub	Diametro x carrera	94 x 100 mm
Cilindrata	Displacement	Cylindrée	Gesamthubraum	Cilindrada	2,1 l
Peso a secco	Dry Weight	Poids à sec	Trockengewicht	Peso en seco	190 kg
Potenza massima	Max Power	Puissance maximum	Hochstleistung	Potencia maxima	33 kW (45 CV)
Coppia massima	Max Torque	Couple max	Max Drehmoment	Par maximo	147 Nm (15 Kgm)
Emissioni	Emissions	Emissions	Emission	Emisiones	EPA - 97 / 68 / EC

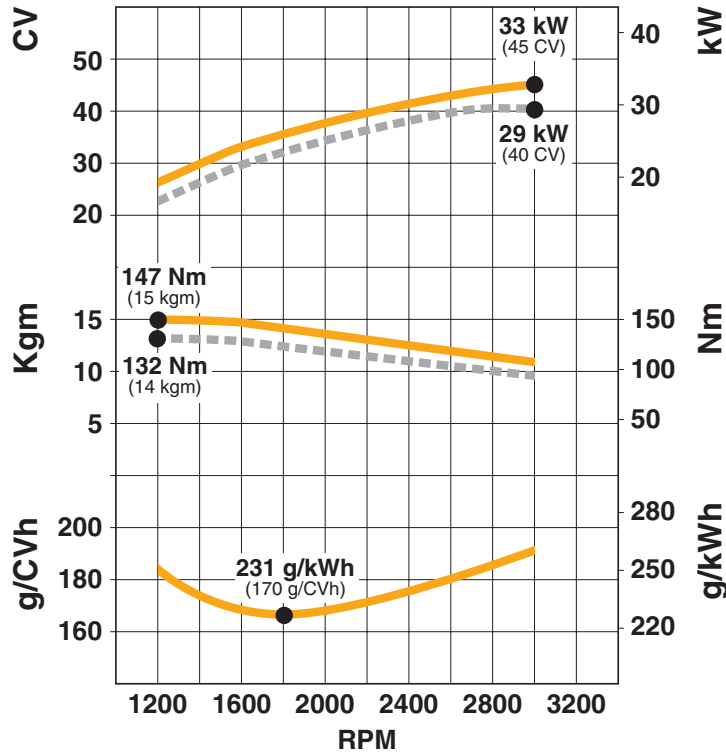
Allestimento standard	Standard equipment	Equipement standard	Standardausruestung	Equipo standard
Campana SAE 4	Flywheel housing SAE 4	Carter volant SAE 4	Schwungradgehäuse SAE 4	Carcasa volante SAE 4
Volano 8" - 10"	Flywheel 8" - 10"	Volant 8" - 10"	Schwungrad 8" - 10"	Volante 8" - 10"
Impianto elettrico 12 V	12 V electric system	Système électrique 12V	Electrosystem 12V	Sistema eléctrico 12V
Candlette di preriscaldamento	Preheating glow plugs	Bougies de prechauffage	Gluehkerzen	Bujias

La foto illustra un tipico motore industriale
Photograph shows an example of a typical industrial engine

Curve Caratteristiche
Performance Curve
Courbes Caracteristiques
Kennlinien
Curvas Caracteristicas

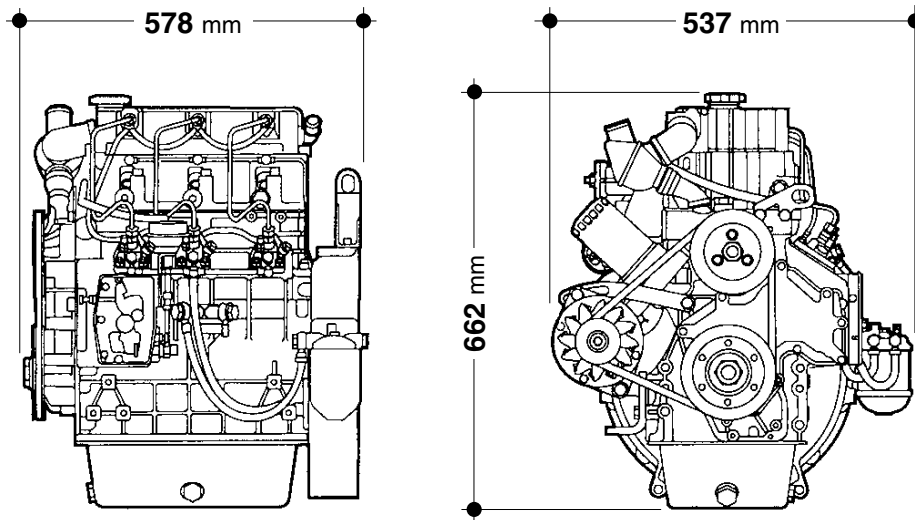
Potenza Intermittente
Intermittent Power
Puissance Intermittente
Kurzzeitleistung
Potencia Intermitente
ISO 3046 /1

Potenza Continua
Continuous Power
Puissance Continue
Dauerleistung
Potencia Continua
ISO 3046 /1



D 703 LE

Dimensioni - Dimensions - Dimensions - Masse - Dimensiones



44042 CENTO (Ferrara) - Italy - Via Ferrarese, 29
 Tel. +39 - 051- 6837 511 - Fax +39 - 051- 6837 535
 www.vmmotori.it - e-mail: industrial-marine@cento.detroitdiesel.com



ISO 14001 - Cert. n° 0043A/0

Azienda di progettazione, produzione e commercializzazione di motori diesel con Sistema Qualità ed Ambiente certificato.



ISO 9001 - Cert. n° 0295/1
 QS-9000 - Cert. n° 0842/1

Company with the Quality and Environmental system certified for diesel engine design manufacturing and commercialization.

VM is registered trademark of VM MOTORI.

As technical advancements continue, specification may change. Printed in Italy - VM MOTORI Advertising Department - Cod. 4 250 2702 F - M1 - 11.'01

VM MOTORI preferisce-prefers M@bil