



# VM MOTORI S.p.A.

## D 703 LTE - 46 kW ( 63 CV )

### Industrial Power

### CARATTERISTICHE TECNICHE

TECHNICAL  
FEATURES

CARACTERISTIQUES  
TECHNIQUES

HAUPTMERKMALE

CARACTERISTICAS  
TECNICAS

**Motore diesel 4 tempi**  
**Iniezione Diretta**  
**Raffreddato ad acqua**  
**Sovralimentato**

*4 stroke diesel engine*  
*Direct injection*  
*Water cooled*  
*Turbocharged*

*Moteur Diesel - 4 temps*  
*Injection directe*  
*Refroidissement à eau*  
*Suralimenté*

*Dieselmotor - 4 takt*  
*Direkte Einspritzung*  
*Wasserkühlung*  
*Turboaufgeladen*

*Motor Diesel - 4 tiempos*  
*Inyeccion directa*  
*Refrigeracion por agua*  
*Sobrealimentado*



<b>Dati Motore</b>	<b>Engine Data</b>	<b>Données Moteur</b>	<b>Motor Daten</b>	<b>Datos Motor</b>	
<b>Numero dei cilindri</b>	<i>Cylinder</i>	<i>Cylindres</i>	<i>Zylinder</i>	<i>Cilindros</i>	<b>3</b>
<b>Alesaggio x Corsa</b>	<i>Bore x Stroke</i>	<i>Alesage x course</i>	<i>Bohrung x Hub</i>	<i>Diametro x carrera</i>	<b>94 x 100 mm</b>
<b>Cilindrata</b>	<i>Displacement</i>	<i>Cylindrée</i>	<i>Gesamthubraum</i>	<i>Cilindrada</i>	<b>2,1 l</b>
<b>Peso a secco</b>	<i>Dry Weight</i>	<i>Poids à sec</i>	<i>Trockengewicht</i>	<i>Peso en seco</i>	<b>196 kg</b>
<b>Potenza massima</b>	<i>Max Power</i>	<i>Puissance maximum</i>	<i>Hochstleistung</i>	<i>Potencia maxima</i>	<b>46 kW (63 CV)</b>
<b>Coppia massima</b>	<i>Max Torque</i>	<i>Couple max</i>	<i>Max Drehmoment</i>	<i>Par maximo</i>	<b>206 Nm (21 Kgm)</b>
<b>Emissioni</b>	<i>Emissions</i>	<i>Emissions</i>	<i>Emission</i>	<i>Emisiones</i>	<b>EPA - 97 / 68 / EC</b>

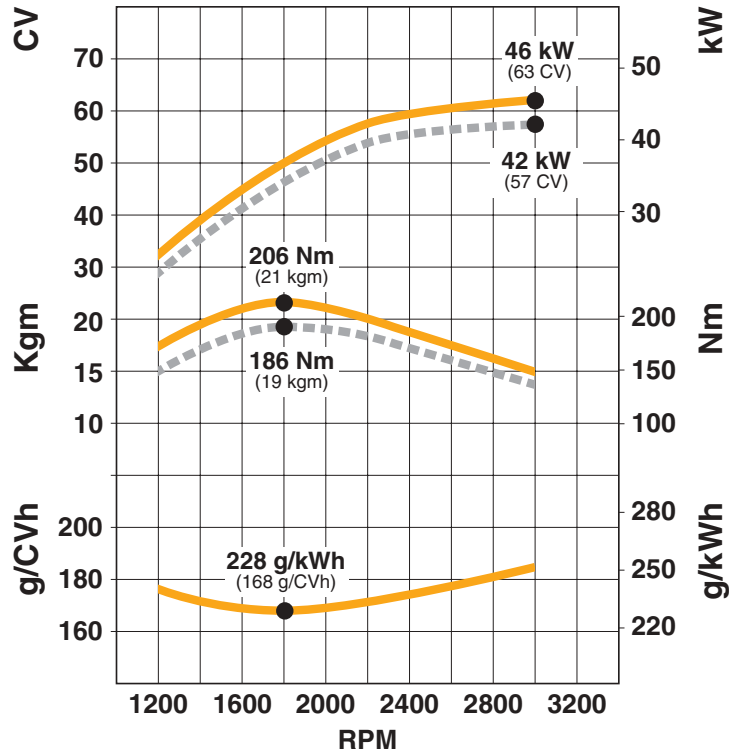
<b>Allestimento standard</b>	<b>Standard equipment</b>	<b>Equipement standard</b>	<b>Standardausruestung</b>	<b>Equipo standard</b>
<b>Campana SAE 4</b>	<i>Flywheel housing SAE 4</i>	<i>Carter volant SAE 4</i>	<i>Schwungradgehäuse SAE 4</i>	<i>Carcasa volante SAE 4</i>
<b>Volano 8" - 10"</b>	<i>Flywheel 8" - 10"</i>	<i>Volant 8" - 10"</i>	<i>Schwungrad 8" - 10"</i>	<i>Volante 8" - 10"</i>
<b>Impianto elettrico 12 V</b>	<i>12 V electric system</i>	<i>Système électrique 12V</i>	<i>Electrosystem 12V</i>	<i>Sistema eléctrico 12V</i>
<b>Candlette di preriscaldamento</b>	<i>Preheating glow plugs</i>	<i>Bougies de prechauffage</i>	<i>Gluehkerzen</i>	<i>Bujias</i>

La foto illustra un tipico motore industriale  
Photograph shows an example of a typical industrial engine

**Curve Caratteristiche**  
*Performance Curve*  
*Courbes Caracteristiques*  
*Kennlinien*  
*Curvas Caracteristicas*

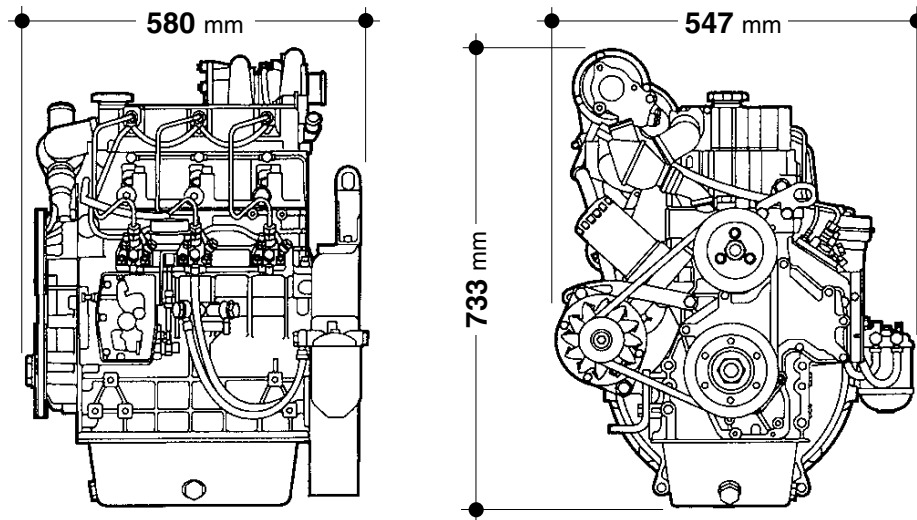
**Potenza Intermittente**  
*Intermittent Power*  
*Puissance Intermittente*  
*Kurzzeitleistung*  
*Potencia Intermitente*  
**ISO 3046 /1**

**Potenza Continua**  
*Continuous Power*  
*Puissance Continue*  
*Dauerleistung*  
*Potencia Continua*  
**ISO 3046 /1**



# D 703 LTE

## Dimensioni - Dimensions - Dimensions - Masse - Dimensiones



44042 CENTO (Ferrara) - Italy - Via Ferrarese, 29  
 Tel. +39 - 051- 6837 511 - Fax +39 - 051- 6837 535  
 www.vmmotori.it - e-mail: industrial-marine@cento.detroitdiesel.com



ISO 14001 - Cert. n° 0043A/0

Azienda di progettazione, produzione e commercializzazione di motori diesel con Sistema Qualità ed Ambiente certificato.



ISO 9001 - Cert. n° 0295/1  
 QS-9000 - Cert. n° 0842/1

Company with the Quality and Environmental system certified for diesel engine design manufacturing and commercialization.

VM is registered trademark of VM MOTORI.

As technical advancements continue, specification may change. Printed in Italy - VM MOTORI Advertising Department - Cod. 4 250 2708 F - M1 - 11.'01

VM MOTORI preferisce-prefers M©bil